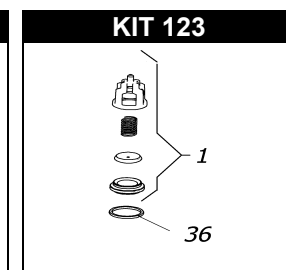
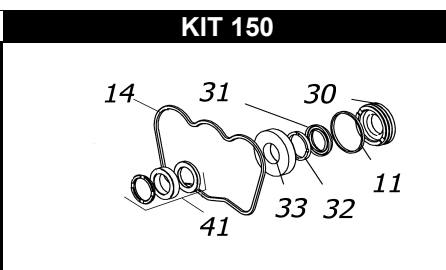
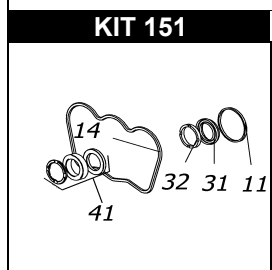
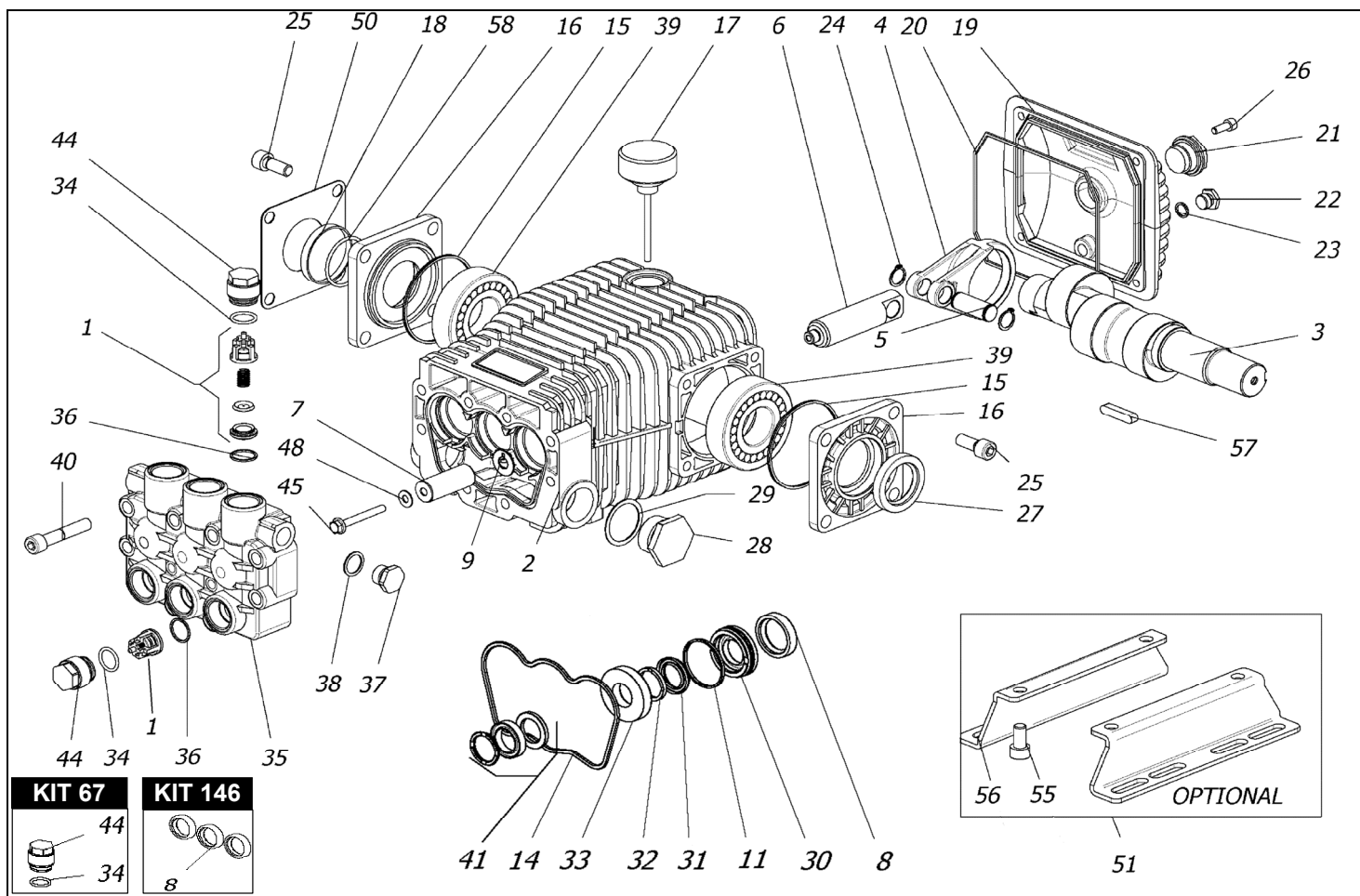


RAL 1640 - 1840



POS.	CODICE PART NO. RÉF.	DENOMINAZIONE - DESCRIPTION - DESCRIPTION	Q.TY
1-kit 123	069846973	VALVES ASSEMBLY	6
2	080001092	PUMP CRANKCASE	1
3	080037262	CRANKSHAFT RAL 1840	1
3	080036262	CRANKSHAFT RAL 1640	1
4	080007112	CONNECTING ROD	3
5	060007492	PISTON PIN	3
6	080071512	PLUNGER ROD	3
7	080069182	CERAMIC PISTON D.18	3
8-kit 146-147	802092002	OIL SEAL D25	3
9	843826002	WASHER	3
11-kit 150-151	803080102	O-RING	3
14-kit 150-151	080021312	PARTICULAR PROFILE GASKET	1
15-kit 147	803210642	O-RING	2
16	060017092	BEARING COVER	2
17	060020322	OIL FILLER PLUG WITH DIP STICK	1
18-kit 147	060059322	OIL SIGHT GLASS	1
19	080006092	CRANKCASE COVER	1
20-kit 147	803210882	O-RING	1
21-kit 147	853515502	OIL SIGHT GLASS + O-RING	1
22	852543502	PLUG G1/4X9	1
23-kit 147	803057002	O-RING	1
24	801099002	CIRCLIP	6
25	863265002	BOLT	8
26	862108002	BOLT	4
27-kit 147	802143002	OIL SEAL	1
28	852712002	PLUG G1	1
28	852712532	PLUG G1 BRASS (OPTIONAL)	1
29	824230002	GASKET	1

POS.	CODICE PART NO. RÉF.	DENOMINAZIONE - DESCRIPTION - DESCRIPTION	Q.TY
30-kit 150	080063532	BACK GLAND D18	3
31-kit 150-151	802061002	"V" PACKING 18X28	3
32-kit 150-151	050019322	THRUST RING	3
33-kit 150	080064532	FRONT GLAND D18	3
34-kit 67	803182802	O-RING	6
35	080061282	PUMP HEAD	1
36-kit 123	803182802	O-RING	6
37	852579002	PLUG G3/8	1
37	852579532	PLUG G3/8 BRASS (OPTIONAL)	1
38	824109002	GASKET	1
39	812870002	BEARING	2
40	863510002	BOLT	8
41-kit 150-151	802058302	SUPER "U" PACKING ASSEMBLY D.18	3
44-kit 67	070040532	VALVE CAP	6
45	862401002	BOLT	3
48	843620052	COPPER WASHER	3
50	060123612	SHEET	1
51	089829973	MOUNTING RAILS KIT (OPTIONAL)	1
55	863212002	BOLT	4
56	080053612	MOUNTING RAIL (OPTIONAL)	2
57	806534002	TAB 8X7X35	1
58-kit 147	803265002	O-RING	1

REPAIR KIT		ITEM NO.s INCLUDED	PCS.
kit 67	049839973	SPARE PARTS KIT	12
kit 146	089816973	SPARE PARTS KIT	3
kit 147	089817973	SPARE PARTS KIT	11
kit 123	069867973	SPARE PARTS KIT	12
kit 150	089820973	SPARE PARTS KIT	25
kit 151	089821973	SPARE PARTS KIT	19