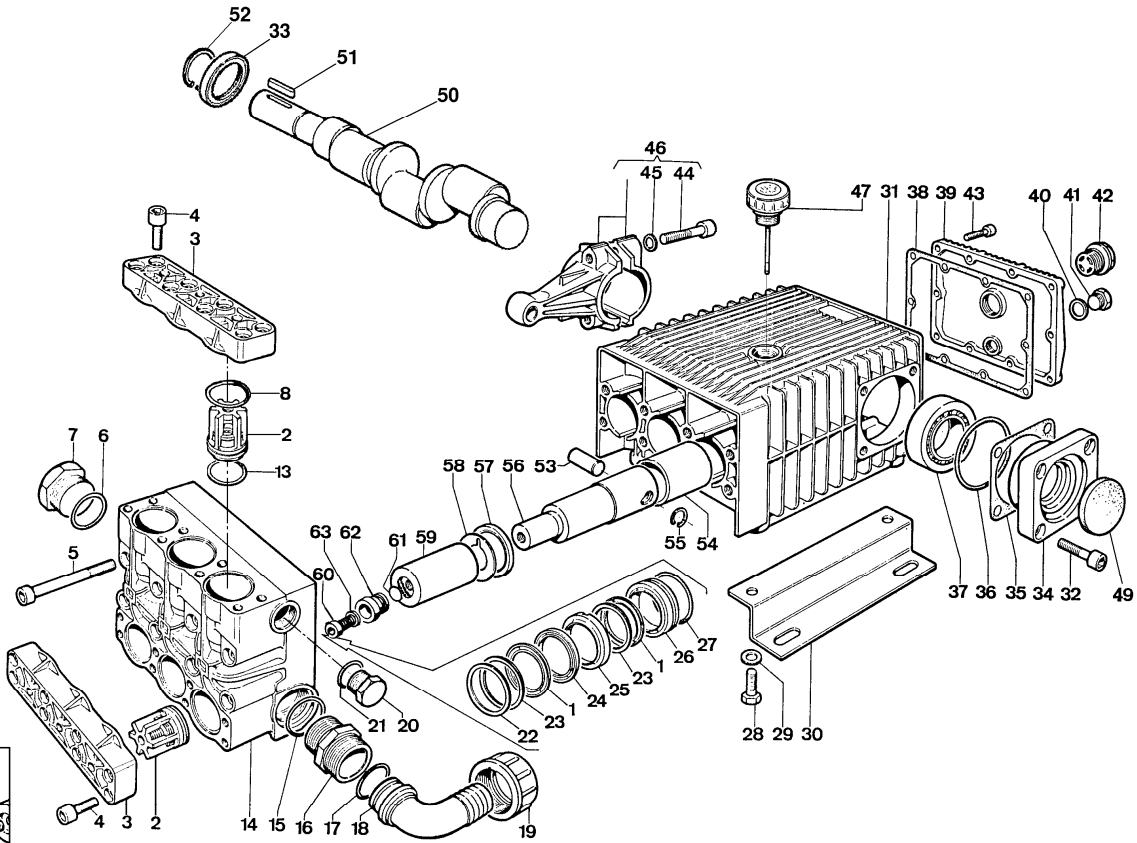
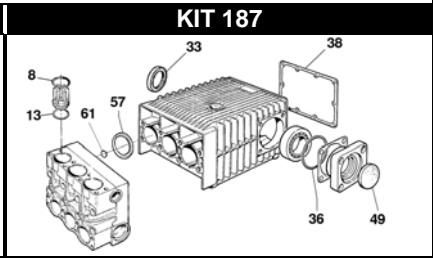
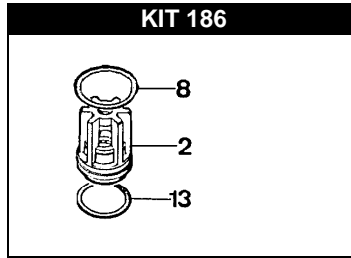
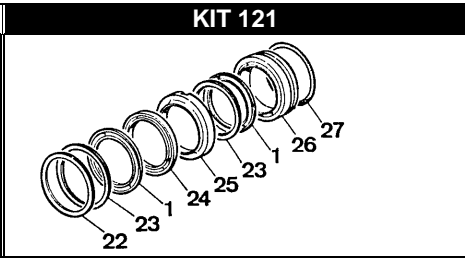
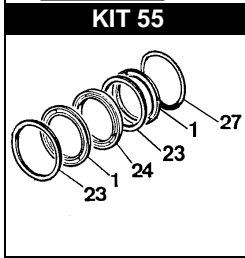
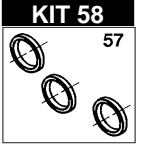


CK90PP-CK115PP-CK110PP-CK120 PP



71 72 73
61
Prima del 07/04
Before 07/04



POS.	CODICE PART NO. RÉF.	DENOMINAZIONE - DESCRIPTION - DESCRIPTION	Q.TY
1	802201002	"V" PACKING DIA. D.45	6
2	739824973	VALVES ASSY	6
3	730416092	VALVES COVER	2
4	863910002	BOLT TCEI M12x40 UNI5931	16
5	864120002	BOLT TCEI M12x110 UNI5931	8
6	803209602	O-RING 2,62x47,3	1
7	852752002	CAP G.1"1/2	1
8	803270002	O-RING 3,53x49,2	6
13	803253002	O-RING 3,53x34,52	6
14	730415092	PUMP HEAD	1
15	803209602	O-RING 2,62x47,3	1
16	835092502	NIPPLE G.1"1/2-G.1"3/4	1
17	803208502	O-RING 2,62x37,77	1
18	840595002	90° ELBOW CONNECTOR DIA.40	1
19	820095002	WING NUT G.1"3/4	1
20	852693002	CAP G.3/4	1
21	803218002	O-RING 3,0x22	1
22	730039532	SPACER	3
23	730044322	THRUST RING	6
24	730040322	ANTIEXTRUSION RING	3
25	730058532	FRONT GLAND	3
26	730070532	REAR GLAND	3
27	803283002	O-RING 3,53x58,74	3
28	863703002	BOLT	4
29	843906002	WASHER D.13 UNI1751	1
30	730024612	MOUNTING RAIL	2
31	730400092	CRANKCASE	1
32	863969002	BOLT TCEI M12x25 UNI5931	8
33	802143002	OIL SEAL	2
34/1	730411092	BEARING COVER D.80 CK 120 -CK 110	2
34/2	730412092	BEARING COVER D.72 CK 90- CK 115	2
35/1	730413652	SHIM SP.0,1	1
35/2	730414652	SHIM SP.0,2	1
36	803210672	O-RING 2,62x88,57	2
37/1	812940002	CONICAL ROLLER BEARING CK 120 -CK 110	2
37/2	812859002	CONICAL ROLLER BEARING CK 90-CK 115	2
38	730065722	COVER GASKET	1
39	730002092	CRANKCASE COVER	1

POS.	CODICE PART NO. RÉF.	DENOMINAZIONE - DESCRIPTION - DESCRIPTION	Q.TY
40	824107002	GASKET D.16,5x23x1	1
41	852579002	CAP G.3/8	1
42	853515502	OIL SIGHT GLASS WITH O-RING	1
43	862216002	BOLT TCEI M6x25 UNI5931	10
44	863439002	BOLT TCEI M10x45 UNI5931	6
45	843870002	SCHNORR WASHER D.10,5	6
46	739802973	CONROD	3
47	853516002	OIL PLUG + DIP STICK	1
49	802099602	CAP D.52x7	1
50/1	730409262	CRANKSHAFT CK 120	1
50/2	760029262	CRANKSHAFT CK 110	1
50/3	730319262	CRANKSHAFT CK 90	1
50/4	730037262	CRANKSHAFT CK 115	1
51	806585002	TAB 10x8x55	1
52	801264002	SNAP RING D.35	1
53	852007402	PISTON PIN DIA.18x35	3
54	804468002	BUSHING	3
55	800040002	SNAP RING D.18	6
56	730407092	PLUNGER ROD	3
57	802180002	OIL SEAL	3
58	844301002	SPLASH GUARD WASHER	3
59	730410182	CERAMIC PISTON DIA.45	3
60	863986002	BOLT TCEI M12X50 UNI5931	3
61	803195502	O-RING 2,62x20,24	3
62	730041512	WASHER	3
63	843872002	WASHER	3
71	730048532	PLUG	3
72	824161002	GASKET D.25,3x30x1	3
73	863960002	SCREW STEI M12x45 UNI5923	3
REPAIR KIT	ITEM NO.s INCLUDED		PCS.
KIT 55	739841973	SPARE PARTS KIT	18
KIT 58	739842973	SPARE PARTS KIT	3
KIT 121	739846973	SPARE PARTS KIT	27
KIT 186	739871973	SPARE PARTS KIT	18
KIT 187	731028973	SPARE PARTS KIT	24

