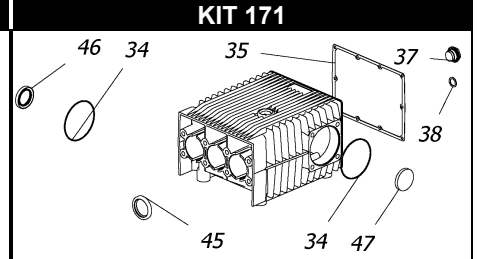
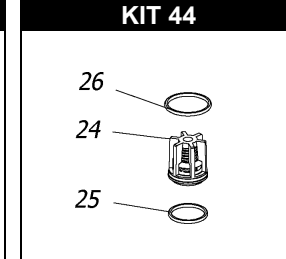
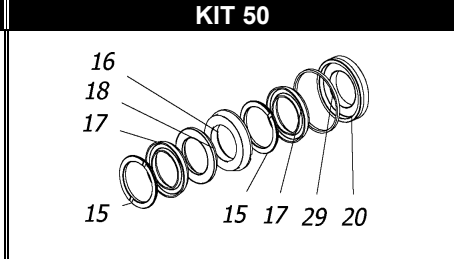
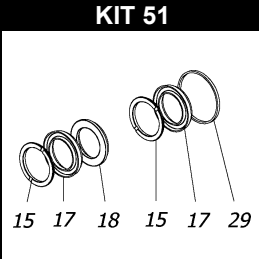
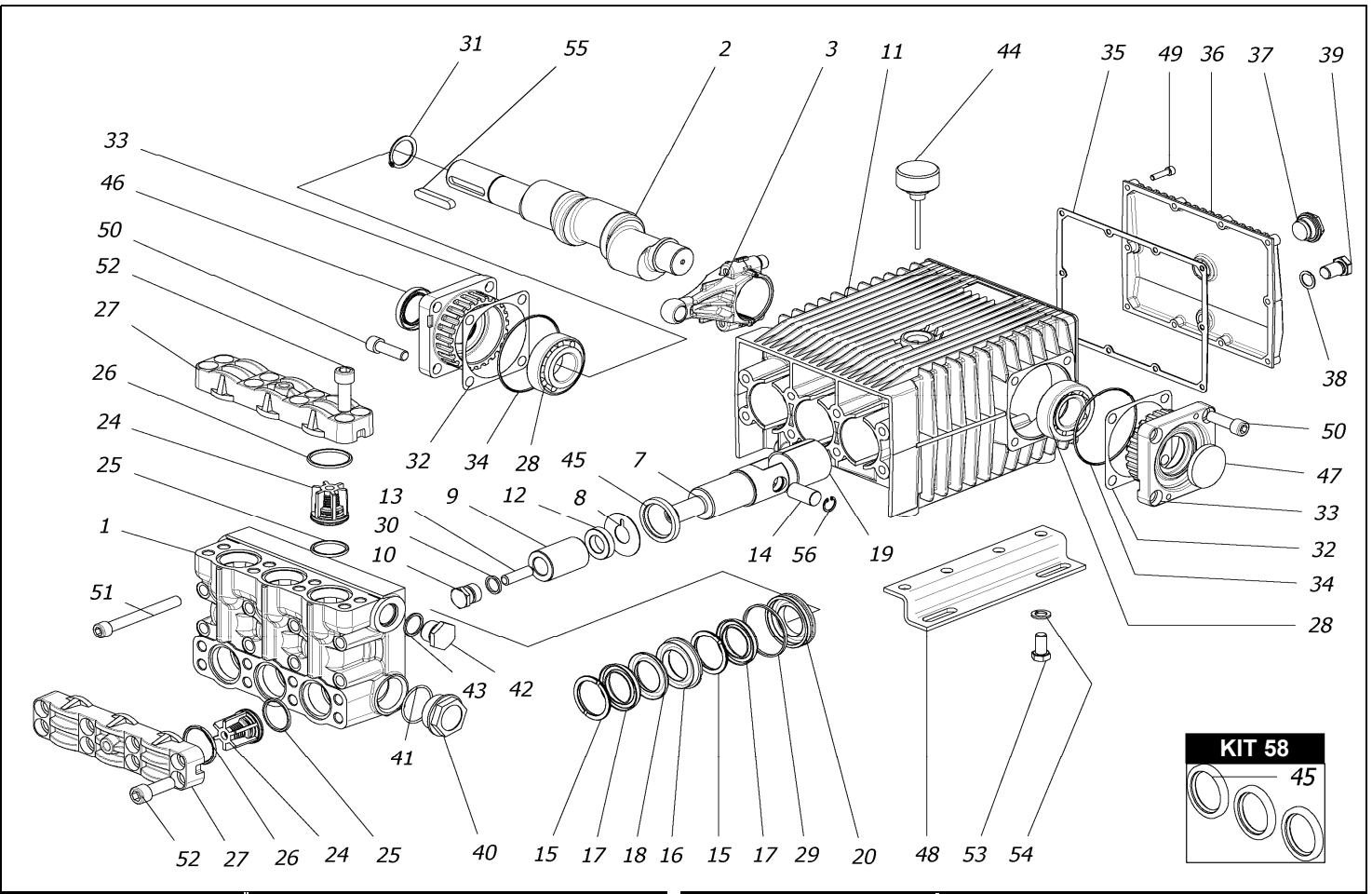


# CK 1519 - 1525 - 1523 - 1526



POS.	CODICE PART NO. RÉF.	DENOMINAZIONE - DESCRIPTION - DESCRIPTION	Q.TY
1	730338282	PUMP HEAD	1
2	730311262	CRANKSHAFT (CK 1523 - CK 1519)	1
2	730319262	CRANKSHAFT (CK 1525)	1
2	730341262	CRANKSHAFT (CK 1526)	1
3	730417112	CONROD	3
7	730426512	PLUNGER ROD	3
8	730305652	WASHER	3
9	530018182	CERAMIC PISTON	3
10	730051532	PLUG	3
11	730400092	CRANKCASE	1
12	730423532	SPACER	1
13	863900002	SCREW	3
14	852007402	PISTON PIN	3
15 -Kit 50-51	730317322	THRUST RING	6
16 -Kit 50	730315532	FRONT GLAND	3
17 -Kit 50-51	802170152	V PACKING DIA. 38-58	6
18 -Kit 50-51	730038322	ANTIEXTRUSION RING	3
19	804468002	BUSHING	3
20 -Kit 50	730316532	REAR GLAND	3
24 -Kit 44	739824973	VALVES ASSY	6
25 -Kit 44	803253002	O-RING	6
26 -Kit 44	803263002	O-RING	6
27	730126282	VALVES COVER	2
28	812859002	BEARING	2
29 -Kit 50-51	803210202	O-RING	3
30	803182502	O-RING	3
31	801264002	SNAP RING D.35	1
32	730413652	SHIM 0.1	2
32	730414652	SHIM 0.2	1

POS.	CODICE PART NO. RÉF.	DENOMINAZIONE - DESCRIPTION - DESCRIPTION	Q.TY
33	730412092	BEARING COVER	2
34 -Kit 171	803210672	O-RING	2
35 -Kit 171	730065722	GASKET	1
36	730002092	BACK COVER	1
37 -Kit 171	853515502	OIL SIGHT GLASS	1
38 -Kit 171	824107002	GASKET	1
39	852579002	PLUG G 3/8	1
40	852740002	PLUG G1*1/4	1
41	803209002	O-RING	1
42	852693002	PLUG G3/4	1
43	803218002	O-RING	1
44	853516002	OIL FILLER PLUG	1
45 -Kit 58-171	802180002	OIL SEAL	3
46 -Kit 171	802143002	OIL SEAL	1
47 -Kit 171	802099602	CAP	1
48	730024612	MOUNTING BRACKET	2
49	862216002	BOLT	10
50	863910002	BOLT	8
51	864120002	BOLT	8
52	864200002	BOLT	16
53	863703002	BOLT	6
54	843844002	WASHER	6
55	806585002	TAB	1
56	801137002	SNAP RING D. 18	6
15-17-18-20-29	739875973	KIT 204 FOR HOT WATER	24
REPAIR KIT		ITEM NO,s INCLUDED	PCS.
KIT 44	739835973	SPARE PARTS KIT	18
KIT 50	739838973	SPARE PARTS KIT	24
KIT 51	739839973	SPARE PARTS KIT	18
KIT 58	739842973	SPARE PARTS KIT	3
KIT 171	739872973	SPARE PARTS KIT	10