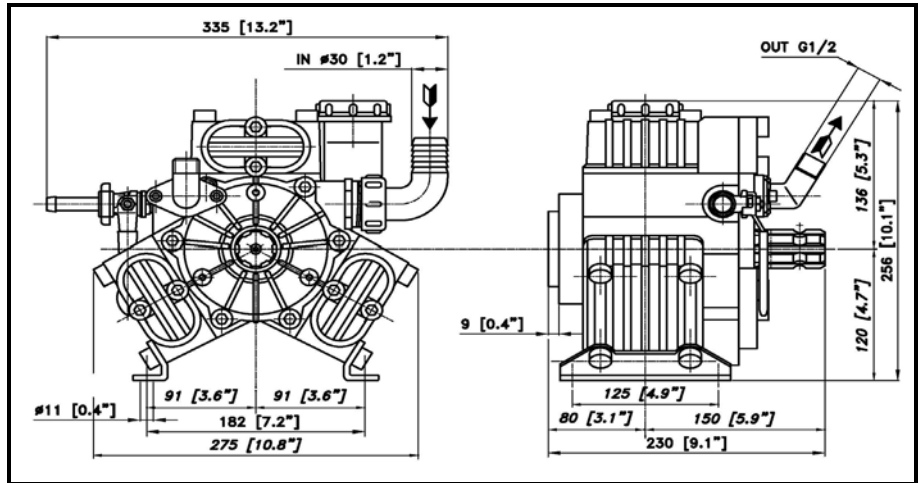
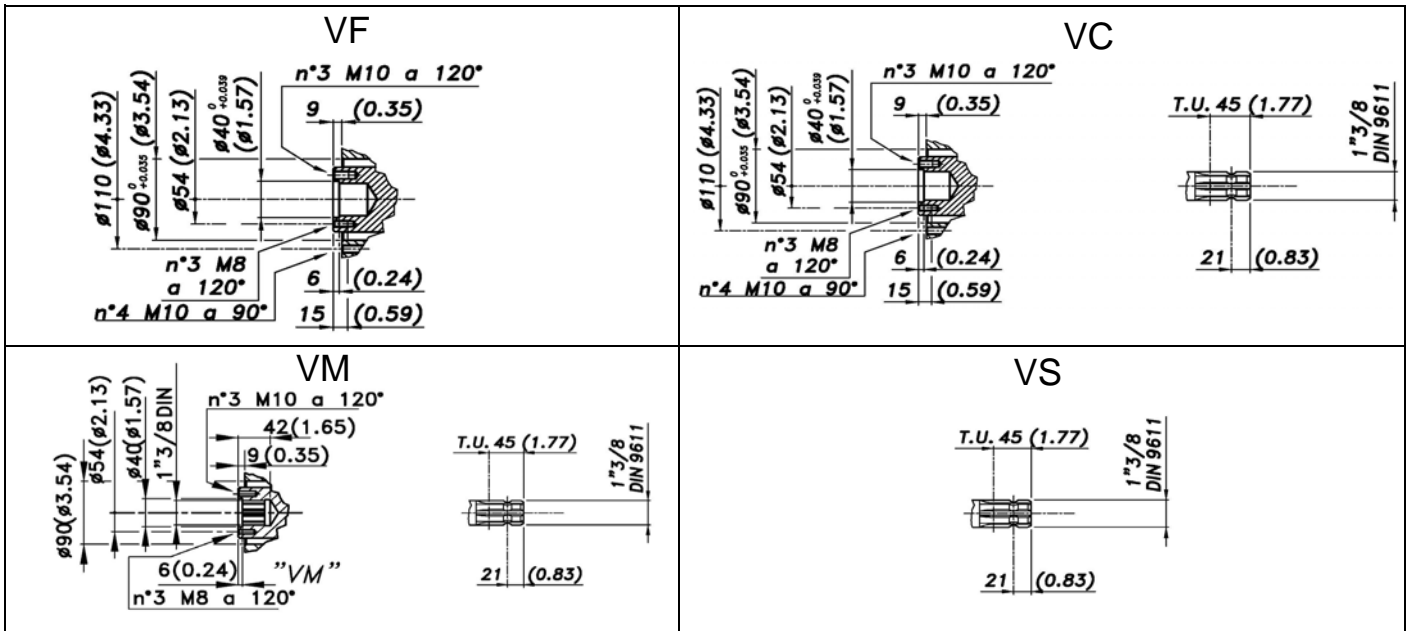


DIMENSIONI D'INGOMBRO - OVERALL DIMENSIONS



ALBERO POMPA - PUMP SHAFT



COPPIA DI SERRAGGIO - TORQUE CHART

CODICE - CODE	Q.TY	POS	N-m	Lbr.ft
23.0015.51.2	3	4	12	8,9
86.2168.00.2	2	40	10	7,4
86.2216.00.2	6	39	10	7,4
86.2730.00.2	2	28	10	7,4
86.3185.00.2	4	18	22	16,2
86.3300.00.2	6	48	44	32,5
86.3560.00.2	8	46	44	32,5
86.3562.00.2	4	32	44	32,5
23.0043.98.3	3	4	12	8,9

Tolleranza di serraggio: 0/-10%
Tolerance on torque value:

INFORMAZIONI UTILI
USEFUL INFORMATION

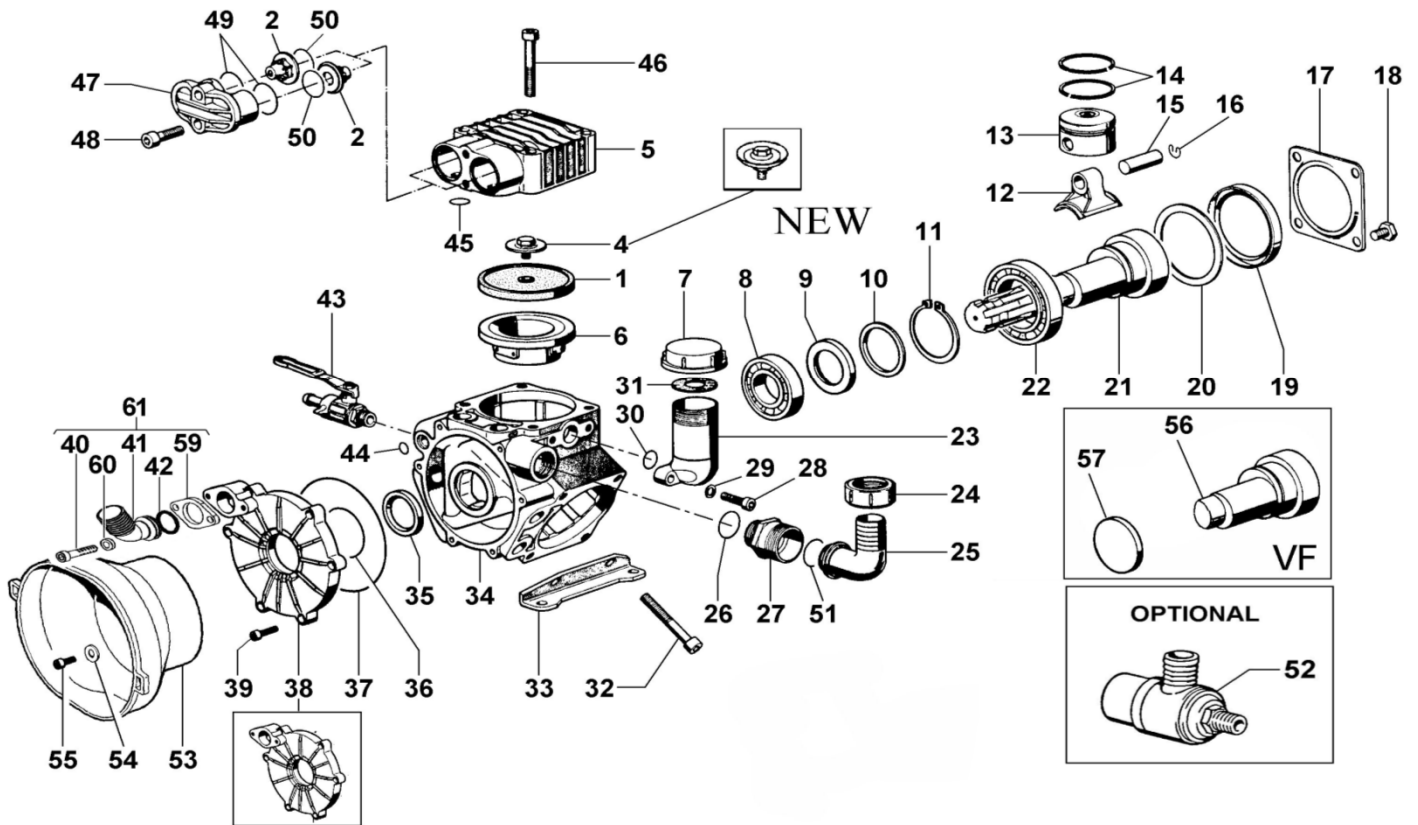
LUBRIFICANTE- LUBRICANT:				
OLIO MOTORE O SEMIDRAULICO SAE 30 MOTOR OIL OR SEMI-HYDRAULIC OIL SAE 30				
PRESSIONE ACCUMULATORE ACCUMULATOR PRESSURE				
PRESSIONE DI LAVORO - OPERATING PRESSURE	2 ÷ 5	5 ÷ 10	10 ÷ 20	20 ÷ 50
ACCUMULATORE ACCUMULATOR	/	/	/	/

KIT MEMBRANE - DIAPHRAGMS KIT

KIT	BUNA - N		DESMOPAN		VITON							PENTAX	
	23.9828.97.3	23.9873.97.3	23.9826.97.3	23.9826.97.3	23.9826.97.3	23.9826.97.3	23.9826.97.3	23.9826.97.3	23.9826.97.3	23.9826.97.3	23.9875.97.3	23.9875.97.3	
POSIZIONE ESPLOSO POSITION NUMBER	1	45	1	45	1	44	45	49	50	36	37	1	45
QUANTITA' NEL KIT QUANTITIES INCLUDED	3	6	3	6	3	1	6	6	6	1	1	3	6

KIT POMPA/KIT VALVOLE - PUMP KIT/VALVES KIT

KIT	KIT POMPA VM PUMP KIT VM							KIT VALVOLE VALVE KIT			
	23.9880.97.3	23.9880.97.3	23.9880.97.3	23.9880.97.3	23.9880.97.3	23.9880.97.3	23.9880.97.3	23.9829.97.3	23.9829.97.3	23.9829.97.3	
POSIZIONE ESPLOSO POSITION NUMBER	35	19	44	45	49	50	36	37	2	50	49
QUANTITA' NEL KIT QUANTITIES INCLUDED	1	1	1	6	6	6	1	1	6	6	6



POS.	CODICE PART NO. REF.	DENOMINAZIONE - DESCRIPTION - DESCRIPTION	Q.TY
1	23.0011.31.2	PISTON DIAPHRAGM	3
1	23.0011.33.2	VITON PISTON DIAPHRAGM	3
1	23.0011.00.2	HPS PISTON DIAPHRAGM	3
1	23.0011.36.2	DESMOPAN PISTON DIAPHRAGM	3
2	23.9805.97.3	VALVE ASSY	6
4	23.0043.98.3	KIT DIAPHRAGM WASHER/SCREW AISI 316	3
4	23.0015.51.3	VITE MEMBRANA fino al 12/98	3
4	23.0009.32.2	PIATTELLO fino al 12/98	3
5	23.0002.09.2	HEAD	3
6	23.0020.01.2	PISTON SLEEVE D.55	3
7	85.2750.00.2	OIL FILLER CAP	1
8	81.2846.00.2	BEARING DIA.35x72x17	1
9	23.0019.76.2	RING	1
10	26.0047.76.2	RING	1
11	80.1377.00.2	RING DIA.55 "VF"- "VC"- "VM"	1
12	23.0005.09.2	LIGHT ALLOY CONROD	3
12	23.0045.11.2	BRONZE CONROD	3
13	23.0007.09.2	PISTON D.55	3
14	81.8504.50.2	PISTON RING	6
15	85.2006.70.2	PISTON PIN DIA.15	3
16	80.0021.00.2	RING DIA.15	6
17	17.0013.61.2	COVER	1
18	86.3185.00.2	SCREW M10x16 UNI5739	4
19	80.2264.10.2	OIL SEAL DIA.68x90x10 "VF"- "VC"- "VM"	1
19	80.2156.00.2	COVER "VS"	1
20	17.0024.76.2	SPACER	1
21	23.0023.26.2	CRANKSHAFT"VC"(SEE OVERALL DIMENSIONS)	1
21	23.0024.26.2	CRANKSHAFT "VM" (1"3/8 M-F)	1
21	23.0036.26.2	CRANKSHAFT "VS" (1"3/8 M)	1
22	81.2972.00.2	BEARING DIA.55x90x18	1
23	23.0008.32.2	OIL FILLER	1
24	82.0067.50.2	WING NUT G.1"1/4	1
25	84.0560.00.2	90° ELBOW CONNECTOR DIA.30-1,18"	1
25	84.0565.00.2	90° ELBOW CONNECTOR DIA.32-1,25" (OPT.)	1
26	80.3207.00.2	O-RING 2,62x29,82	1
27	83.5089.00.2	NIPPLES G.1"-G.1"1/4	1
28	86.2730.00.2	SCREW M8x30 UNI5931	2
29	84.3685.00.2	WASHER DIA.8,4x15x1,5	2

POS.	CODICE PART NO. REF.	DENOMINAZIONE - DESCRIPTION - DESCRIPTION	Q.TY
30	80.3180.00.2	O-RING 2,62x15,08	1
31	82.4120.00.2	GASKET DIA.45x19x1,5	1
32	86.3562.00.2	SCREW M10X70 UNI 5931	4
33	23.0018.61.2	MOUNTING BRACKETS	2
34	23.0001.09.2	CRANKCASE	1
35	80.2134.50.2	OIL SEAL DIA.35x47x7	1
36	80.3209.80.2	O-RING 2,62x50,47	1
36	80.3209.85.2	O-RING 2,62x50,47 (KIT VITON)	1
37	80.3210.68.2	O-RING 2,62x120,32	1
37	80.3210.69.2	O-RING 2,62x120,32 (KIT VITON)	1
38	23.0046.09.2	CRANKCASE COVER	1
38	23.0006.09.2	CRANKCASE COVER till the 6/99	1
39	86.2216.00.2	SCREW M6x25 UNI5931	6
40	86.2108.00.2	SCREW M6x16 UNI5931	2
41	31.1515.09.2	DIRECTIONAL FITTING G.1/2	1
42	80.3218.00.2	O-RING 3,0x22	1
43	84.5544.10.2	LEFT TAP G.3/8-G.1/2	1
44	80.3176.00.2	O-RING 2,62x11,91	1
44	80.3176.50.2	O-RING 2,62x11,91 (KIT VITON)	1
45	80.3189.00.2	O-RING 2,62x18,72	6
45	80.3189.50.2	O-RING 2,62x18,72 (KIT VITON)	6
46	86.3560.00.2	SCREW M10X65 UNI 5931	8
47	23.0003.09.2	VALVE COVER	3
48	86.3300.00.2	SCREW M10x30 UNI5931	6
49	80.3219.20.2	O-RING 3,0x35	6
49	80.3219.50.2	O-RING 3,0x35 (KIT VITON)	6
50	80.3207.00.2	O-RING 2,62x29,82	6
50	80.3207.50.2	O-RING 2,62x29,82 (KIT VITON)	6
51	80.3219.00.2	O-RING 3,0x25	1
52	24.3040.97.3	SAFETY VALVE 40bar (OPTIONAL)	1
53	31.1467.32.2	SAFETY CONE (OPTIONAL)	1
54	84.3618.00.2	WASHER DIA.6,4x18x1,5 (OPTIONAL)	3
55	86.2086.00.2	SCREW M6x14 UNI5931 (OPTIONAL)	3
56	23.0028.26.2	CRANKSHAFT"VF"(SEE OVERALL DIMENSIONS)	1
57	80.2099.50.2	COVER "VF"	1
59	31.1517.61.2	FLANGE LOCK FITTING	1
60	84.3585.00.2	WASHER D.6	2
61	31.8916.97.3	FITTING KIT G.1/2	1